



## HAILO AS Cargo 450 21/17

**3610811**

GTIN: 4007126301062

For cabinets with front-mounted door of 450 mm width



SLIDE



2 BUCKET

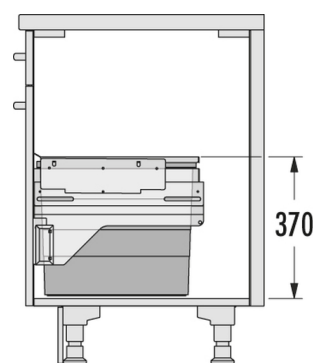
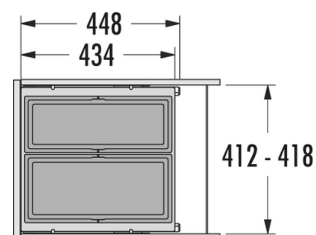
**38 L**

TOTAL

Suitable for cabinet width (cm)  
45

### Specifications

Type of installation	Slide	✓
Cabinet-width min. (cm)	45	
Cabinet-width max. (cm)	45	
Suitable for cabinet width (cm)	45	
available Cabinet-depth min. (mm)	450	
Sidewall mounted		✓
Slides	covered, dampened slides with self-closing device with fully synchronized over-travel	
Side-wall thickness (mm)	16 - 19 (self-adjusting)	
Product dimensions (WxDxH) (mm)	412-418 x 434 x 370	
Packing dimensions (WxDxH) (mm)	500 x 250 x 410	
System-depth (mm)	448	
Number of bins	2	
Lid	Sheet metal system lid	
Capacity (l)	1 x 21 + 1 x 17	
Total volume (l)	38	



# PRODUCT SPECIFICATION SHEET

---



Color metal parts	dark grey
Color plastic parts	dark grey
Weight incl. packing (kg)	9,9